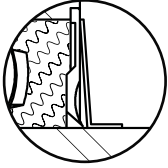


# UCFT200 L4L SERIES

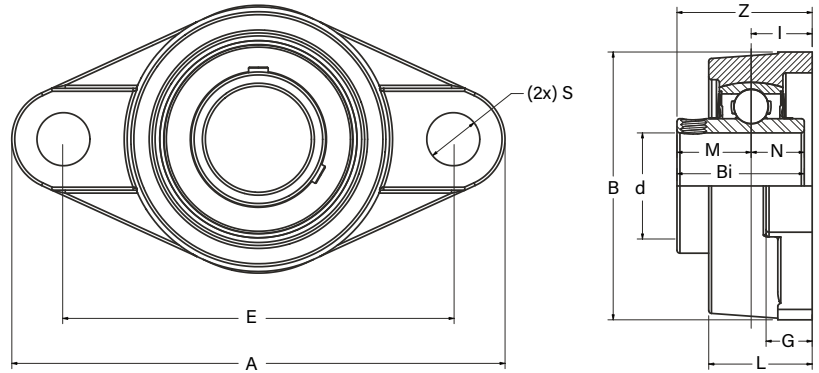
Normal-Duty 2-Bolt Flange Block  
Eccentric Lock



Features:



**Permanent Lubrication**  
Standard with seals and flinger



Bearing Number	Shaft Dia.	Dimensions in. mm.											Bolt Used	Load Rating lbs. kN.		Bearing Insert	Housing Number	Weight lbs. kg.		
	d in. mm.	A	E	I	G	L	S	B	Z	Bi	N	M		in. mm.	Dynamic Cr				Static Cor	
UCWFT201 L4L	12																	UCW201 L4L	WFT203 L4L	0.9 0.4
UCWFT201 8 L4L	1/2	3.88	3.000	0.59	0.44	0.96	0.39	2.25	1.22	1.0787	0.3937	0.6260	5/16	2,147	1,075	UCW201 8 L4L				
UCWFT202 L4L	15	99.0	76.2	15.0	11.0	24.5	10.0	57.0	31.0	27.4	10.0	15.9	M8	9.55	4.78	UCW202 L4L				
UCWFT202 10 L4L	5/8																UCW202 10 L4L			
UCWFT203 L4L	17																UCW203 L4L			
UCFT204 12 L4L	3/4	4.41	3.531	0.56	0.44	0.98	0.39	2.38	1.28	1.2205	0.5000	0.7205	5/16	2,883	1,496	UC204 12 L4L	FT204 L4L	1.1 0.5		
UCFT204 L4L	20	112.0	89.7	14.3	11.0	25.0	10.0	60.0	32.6	31.0	12.7	18.3	M8	12.82	6.65	UC204 L4L				
UCFT205 14 L4L	7/8																UC205 14 L4L	FT205 L4L	1.5 0.7	
UCFT205 15 L4L	15/16	4.88	3.891	0.63	0.50	1.06	0.47	2.75	1.40	1.3425	0.5630	0.7795	3/8	3,155	1,810	UC205 15 L4L				
UCFT205 L4L	25	124.0	98.8	15.9	13.0	27.0	12.0	70.0	35.6	34.1	14.3	19.8	M10	14.04	8.05	UC205 L4L				
UCFT205 16 L4L	1																UC205 16 L4L			
UCFT206 17 L4L	1 1/16																UC206 17 L4L	FT206 L4L	2.0 0.9	
UCFT206 18 L4L	1 1/8																UC206 18 L4L			
UCFT206 L4L	30	5.56	4.594	0.70	0.50	1.18	0.47	3.25	1.58	1.5000	0.6260	0.8740	3/8	4,377	2,569	UC206 L4L				
UCFT206 19 L4L	1 3/16	141.0	116.7	17.9	13.0	30.0	12.0	83.0	40.1	38.1	15.9	22.2	M10	19.47	11.43	UC206 19 L4L				
UCFT206 20 L4L	1 1/4																UC206 20 L4L			
UCFT207 20 L4L	1 1/4																UC207 20 L4L	FT207 L4L	2.9 1.3	
UCFT207 21 L4L	1 5/16																UC207 21 L4L			
UCFT207 22 L4L	1 3/8	6.13	5.125	0.75	0.56	1.34	0.51	3.75	1.75	1.6890	0.6890	1.0000	7/16	5,775	3,497	UC207 22 L4L				
UCFT207 L4L	35	156.0	130.2	19.1	14.0	34.0	13.0	95.0	44.5	42.9	17.5	25.4	M12	25.69	15.56	UC207 L4L				
UCFT207 23 L4L	1 7/16																UC207 23 L4L			
UCFT208 24 L4L	1 1/2																UC208 24 L4L	FT208 L4L	3.3 1.5	
UCFT208 25 L4L	1 9/16	6.75	5.656	0.83	0.56	1.50	0.51	4.13	2.02	1.9370	0.7480	1.1890	7/16	6,634	4,079	UC208 25 L4L				
UCFT208 L4L	40	171.0	143.7	21.0	14.0	38.0	13.0	105.0	51.2	49.2	19.0	30.2	M12	29.51	18.14	UC208 L4L				
UCFT209 26 L4L	1 5/8																UC209 26 L4L	FT209 L4L	3.7 1.7	
UCFT209 27 L4L	1 11/16	7.04	5.844	0.86	0.56	1.56	0.59	4.38	2.05	1.9370	0.7480	1.1890	1/2	7,160	4,676	UC209 27 L4L				
UCFT209 28 L4L	1 3/4	179.0	148.4	21.8	14.0	40.0	15.0	111.0	52.0	49.2	19.0	30.2	M14	31.85	20.80	UC209 28 L4L				
UCFT209 L4L	45																UC209 L4L			
UCFT210 30 L4L	1 7/8																UC210 30 L4L	FT210 L4L	5.1 2.3	
UCFT210 31 L4L	1 15/16	7.44	6.188	0.88	0.56	1.56	0.63	4.56	2.16	2.0315	0.7480	1.2835	1/2	7,867	5,330	UC210 31 L4L				
UCFT210 L4L	50	189.0	157.2	22.2	14.0	40.0	16.0	116.0	54.8	51.6	19.0	32.6	M14	35.00	23.71	UC210 L4L				
UCFT210 32 L4L	2																UC210 32 L4L			
UCFT211 32 L4L	2																UC211 32 L4L	FT211 L4L	6.2 2.8	
UCFT211 34 L4L	2 1/8	8.50	7.250	1.00	0.83	1.75	0.64	5.25	2.30	2.1890	0.8740	1.3150	9/16	9,743	6,608	UC211 34 L4L				
UCFT211 L4L	55	216.0	184.2	25.4	21.0	44.0	16.3	133.0	58.5	55.6	22.2	33.4	M16	43.34	29.40	UC211 L4L				
UCFT211 35 L4L	2 3/16																UC211 35 L4L			
UCFT212 36 L4L	2 1/4																UC212 36 L4L	FT212 L4L	9.5 4.3	
UCFT212 L4L	60	9.84	7.938	1.13	0.71	1.88	0.91	5.50	2.70	2.5630	1.0000	1.5630	3/4	10,720	7,516	UC212 L4L				
UCFT212 38 L4L	2 3/8	250.0	201.6	29.0	18.0	48.0	23.0	140.0	68.7	65.1	25.4	39.7	M20	47.69	33.43	UC212 38 L4L				
UCFT212 39 L4L	2 7/16																UC212 39 L4L			

\*Listed bearings will need an L4L suffix for proper ordering. Example: UCP205 16 L4L.